

SUBMITTAL DATA: MSZ-GE06NA

6,000 BTU/H WALL-MOUNTED INDOOR UNIT FOR MXZ-B MULTI-ZONE HEAT-PUMP SYSTEMS

Job Name: _____	Location: _____	Date: _____
Purchaser: _____	Engineer: _____	
Submitted to: _____	For <input type="checkbox"/> Reference <input type="checkbox"/> Approval <input type="checkbox"/> Construction	
System Designation: _____	Schedule No.: _____	

GENERAL FEATURES

- Wall-mounted indoor unit
- Standard Hybrid Catechin Prefilter is included with indoor unit
- Quiet operation
- Choice of fan speeds: Quiet, Low, Medium, High, and Super High; Auto fan speed control also included
- Wireless remote controller is included; PAR-21MAA wired remote controller can be installed as an option
- Indoor unit powered from outdoor unit using A-Control
- Auto restart following a power outage
- Limited warranty: five years on parts and defects and seven years on compressors

OPTIONAL ACCESSORIES

- M-NET Control Adapter (MAC-3991F)
- MA Contact Terminal Interface (MAC-3971F)
- Wired Remote Controller (PAR-21MAA; requires MAC-3971F)
- Condensate Pump (230V; S13100-230)
- Anti-allergy Enzyme Filter (Two pieces per set; MAC-408FT-E)

Cooling Capacity* 6,000 Btu/h

Heating Capacity* 7,200 Btu/h

* Rating Conditions (Cooling) - Indoor: 80°F (27°C) DB, 67°F (19°C) WB; Outdoor: 95°F (35°C) DB, 75°F (24°C) WB.

(Heating at 47°F) - Indoor: 70°F (21°C) DB, 60°F (16°C) WB; Outdoor: 47°F (8°C) DB, 43°F (6°C) WB.

(For data on specific indoor units [all ducted, all non-ducted, and both ducted and non-ducted] combinations, see the MXZ-B Technical and Service Manual.)

Electrical Requirements

Power Supply 208 / 230V, 1-Phase, 60 Hz

MCA 1 A

Voltage

Indoor - Outdoor S1-S2 AC 208 / 230V

Indoor - Outdoor S2-S3 DC 12-24V

 Indoor - Remote Controller Wireless
 (Optional Wired Controller: DC 12V)

Fan Motor 0.76 F.L.A.

Airflow (Quiet - Lo - Med - Hi - Super Hi)

Cooling 145 - 170 - 237 - 321 - 399 Dry CFM

109 - 134 - 201 - 286 - 364 Wet CFM

Heating 145 - 170 - 233 - 321 - 406 CFM



Indoor Unit: MSZ-GE06NA



Wireless Remote Controller

Sound Pressure Level (Quiet - Lo - Med - Hi - Super Hi)

Cooling 19 - 22 - 30 - 37 - 43 dB(A)

Heating 19 - 22 - 30 - 37 - 43 dB(A)

DIMENSIONS	UNIT INCHES / MM
W	31-7/16 / 799
D	9-1/8 / 232
H	11-5/8 / 295

Weight 22 lbs. / 10 kg

External Finish Munsell No. 1.0Y 9.2 / 0.2

Field Drainpipe Size O.D. 5/8" / 15.88 mm

 Remote Controller Wireless
 (Optional Wired Remote Controller PAR-21MAA;
 see Data Submittal Sheet)

Refrigerant Type R410A

Refrigerant Pipe Size O.D.

Gas Side 3/8" / 9.52 mm

Liquid Side 1/4" / 6.35 mm

Connection Method Flared

MXZ-B SERIES HEAT-PUMP OUTDOOR UNITS


Outdoor Unit: MXZ-3B30NA

MXZ-B MULTI-ZONE SYSTEMS CAN INCLUDE:

- Ducted Indoor Units:
SEZ-KD09,12,15,18NA, PEAD-A24AA
- Nonducted Indoor Units:
**MSZ-GE06,09,12,15,18NA, MSZ-GA24NA,
 MSZ-FE09,12NA, MFZ-KA09,12,18NA,
 PCA-A24KA, and PLA-A12,18,24BA**
- A combination of both Ducted and Nonducted Indoor Units

Refer to the separate submittal forms for the MSZ-GE, MSZ-GA, MSZ-FE, SEZ-KD, PEAD, PCA, PLA Indoor Units, and MXZ Outdoor Units.



MSZ-GE06,09,12,15,18NA and MSZ-GA24NA



MSZ-FE


 Wireless Remote Controller -
 Packaged with MSZ-GE, -GA,
 -FE and MFZ-KA (Optional Wired
 Remote Controller PAR-21MAA)

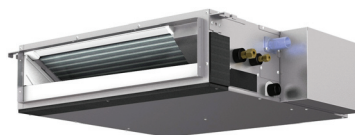

MFZ-KA



PCA-KA



PLA-A12,18,24BA



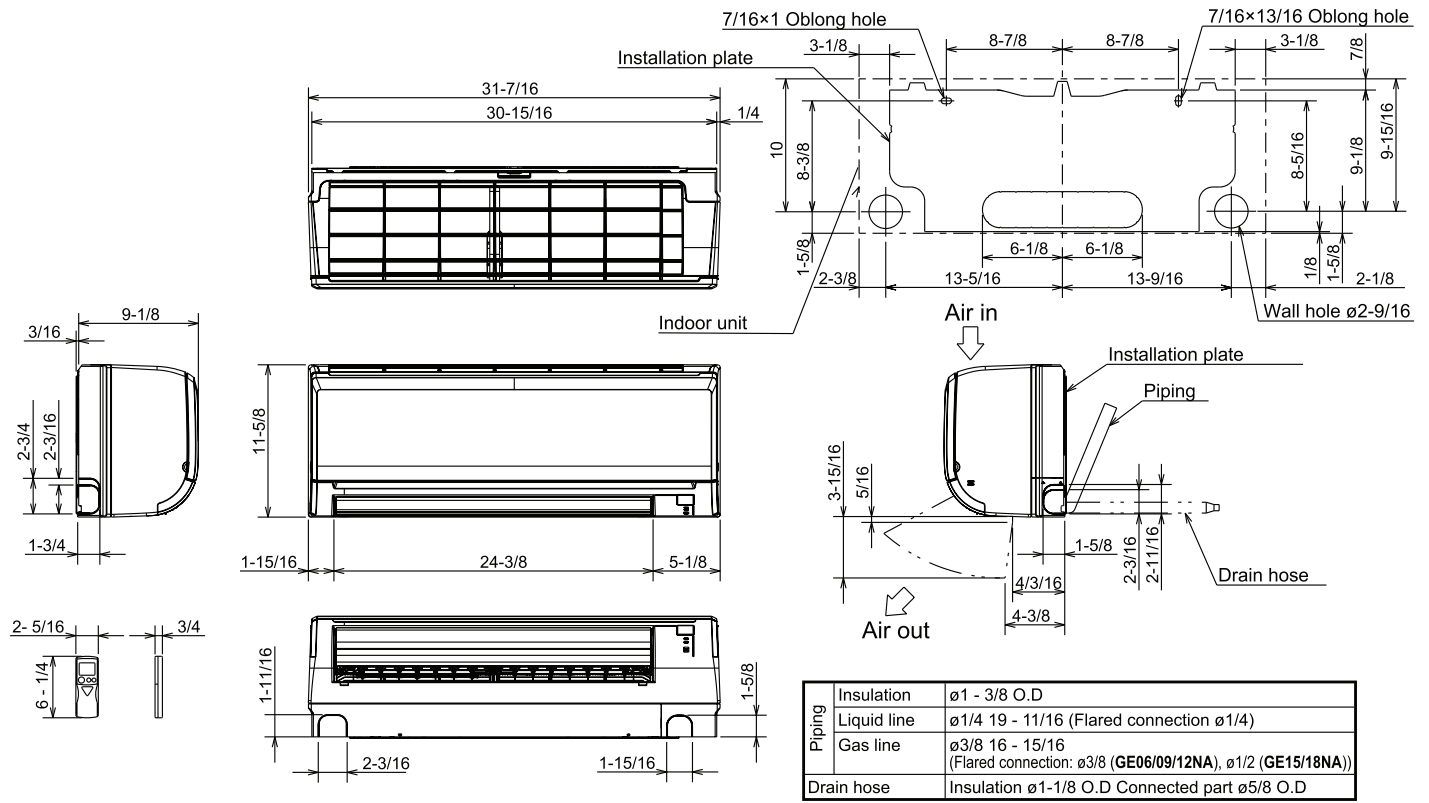
SEZ-KD and PEAD-A24


 Remote Controller PAR-21MAA - Packaged
 with PCA-KA, PLA-ABA, SEZ, and PEAD

INVERTER

DIMENSIONS: MSZ-GE06NA

Unit: inch



HVAC Advanced Products Division
3400 Lawrenceville Suwanee Rd
Suwanee, GA 30024
Tele: 678-376-2900 • Fax: 800-889-9904
Toll Free: 800-433-4822 (#3)
www.mehvac.com

Specifications are subject to change without notice.